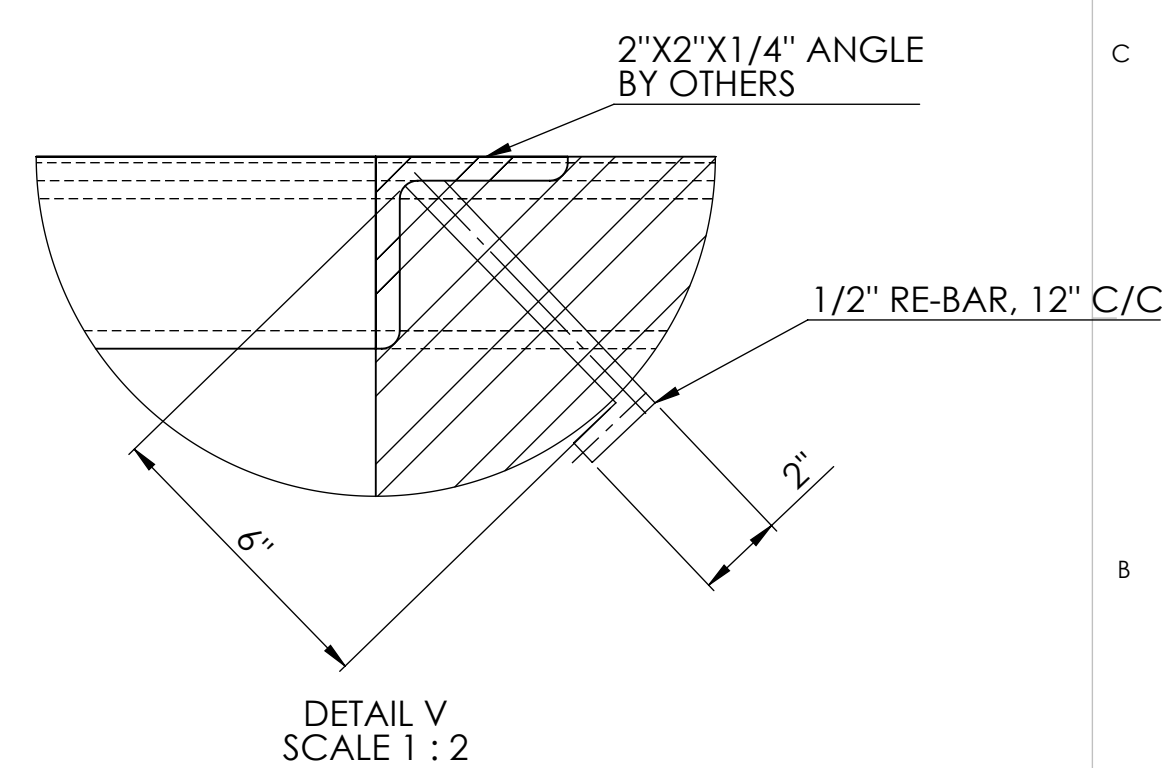
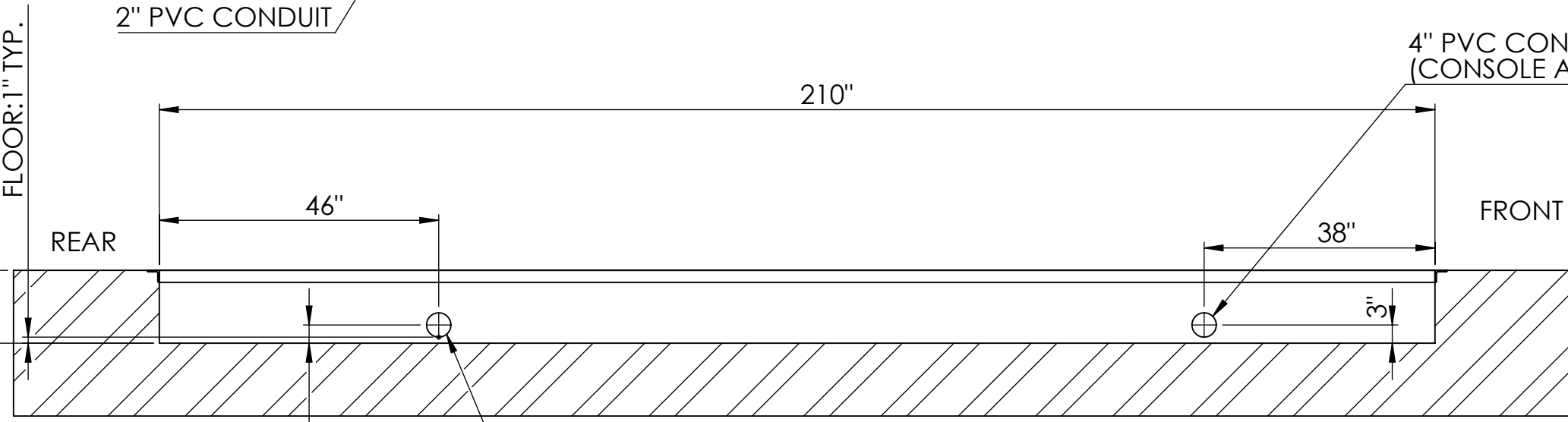
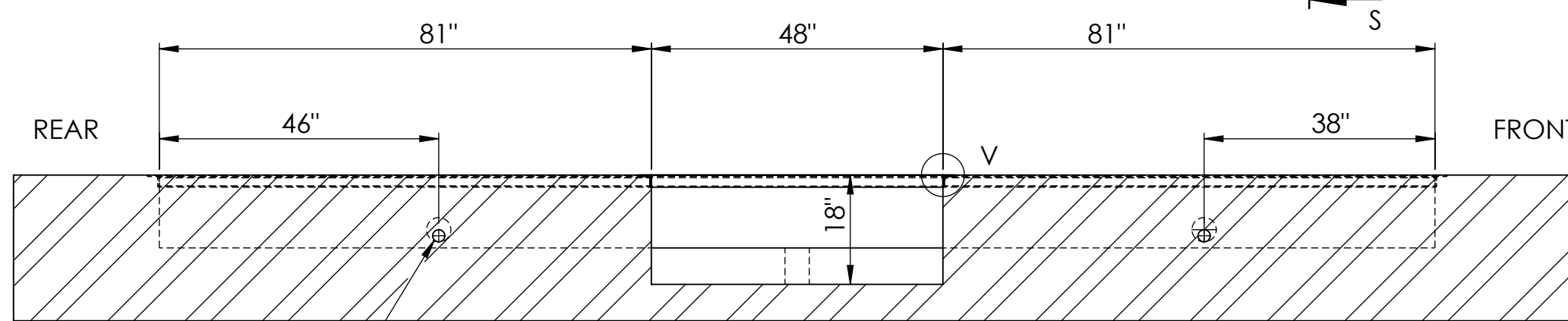
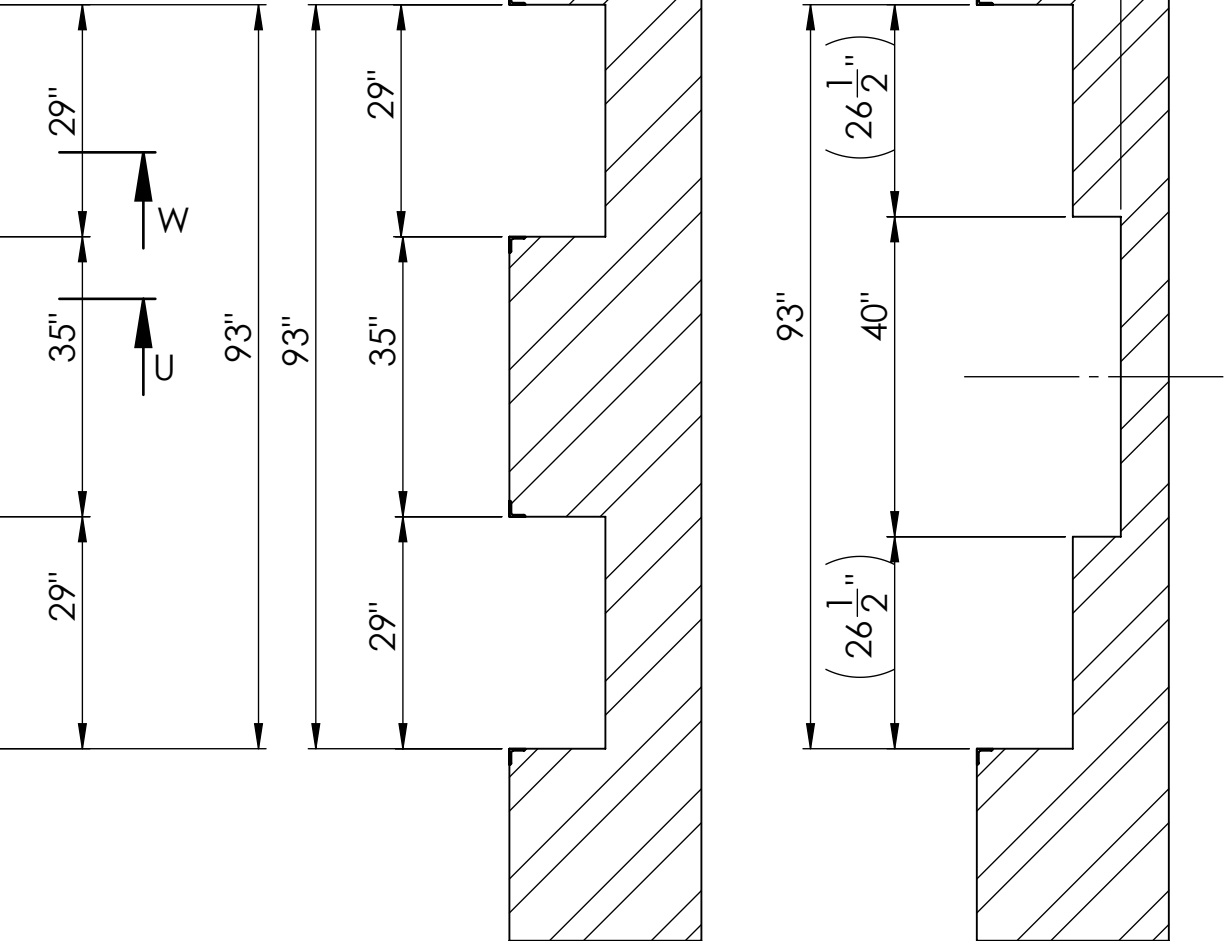
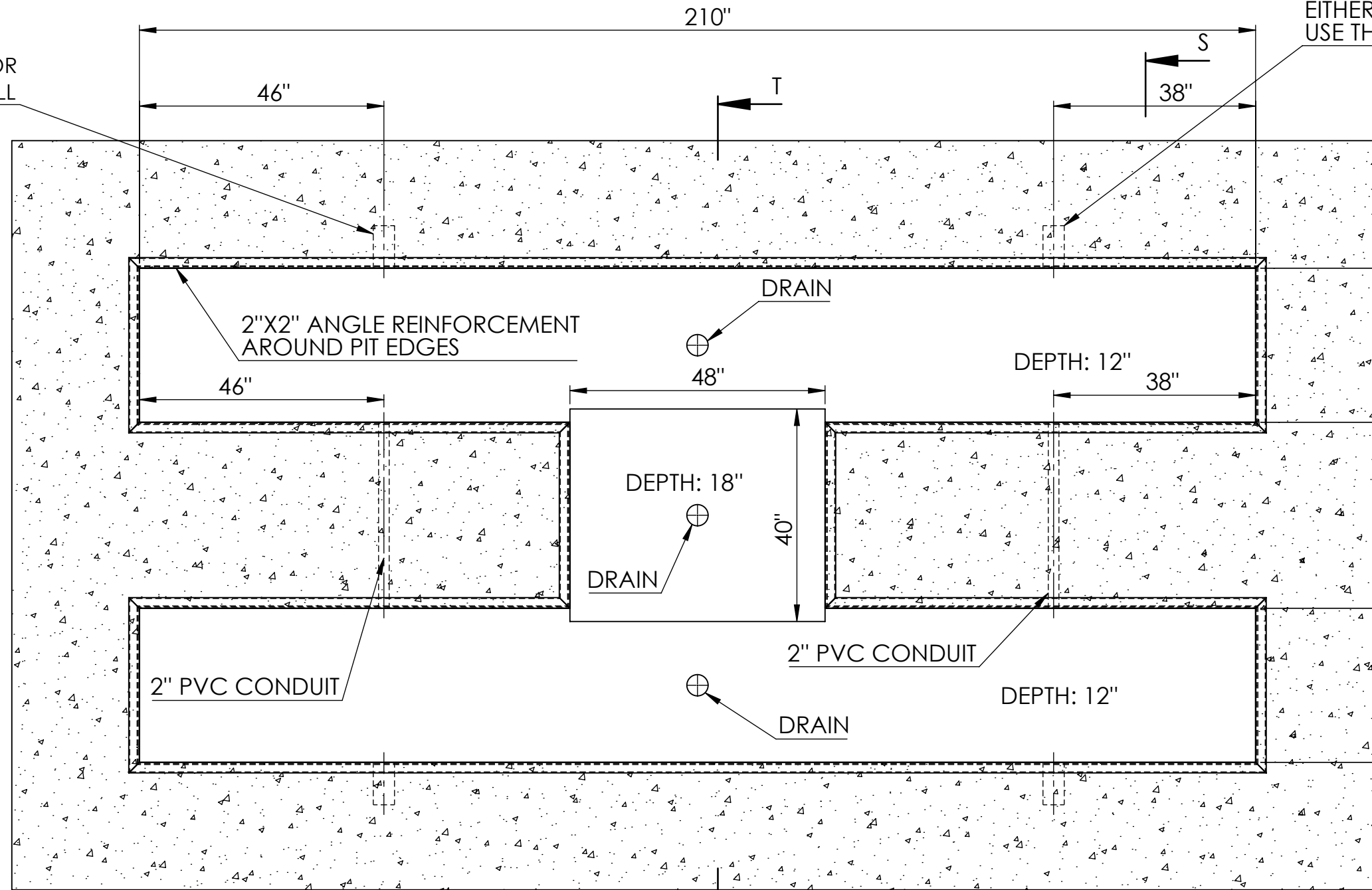
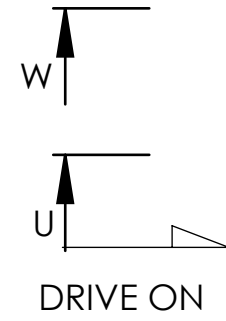


USE THIS LOCATION FOR REAR CONSOLE INSTALL

4" PVC CONDUIT WITH LONG SWEEP ELBOW TO CONSOLE
ONLY ONE CONDUIT IS REQUIRED
EITHER DRIVER SIDE OR PASSENGER SIDE
USE THIS LOCATION FOR FRONT CONSOLE INSTALL



PIT FLOOR SPECIFICATIONS:
MIN. 4" THICK WITH 3,000 PSI CONCRETE AGED 30 DAYS.
ENSURE PROPER DRAINAGE BY LOCAL CODE.

IT'S RECOMMENDED TO HAVE A LEVEL FLOOR FOR INSTALLATION (NO SLOPE ALONG THE ANGLE FRAME).
SLOPED BAY FLOOR TOWARDS THE REAR END WILL RESULT IN AN ELEVATED DECK END.
IF THE LIFT REAR END IS HIGHER THAN GARAGE FLOOR AFTER INSTALLATION (MAX. 2" ALLOWED),
THE REAR APPROACH RAMP WILL SIT WITH A SMALL ANGLE.
THIS WILL CAUSE RAMP CLATTER WHEN THE VEHICLE IS DRIVEN ON.
THIS WILL NOT DAMAGE THE VEHICLE AND THE LIFT.
RAISE THE APPROACH EDGE OF THE PIT WILL ALLEVIATE THIS CONDITION

UNLESS OTHERWISE SPECIFIED: DIMENSIONS ARE IN (MM) INCHES		AUTEL PROPRIETARY AND CONFIDENTIAL THE INFORMATION CONTAINED IN THIS DRAWING IS THE SOLE PROPERTY OF AUTEL U.S. INC. ANY REPRODUCTION IN PART OR AS A WHOLE WITHOUT THE WRITTEN PERMISSION OF AUTEL IS PROHIBITED.	AUTEL U.S. INC. (855) 288-3587 www.autel.com	
TOLERANCES: FRACTIONAL: ±[1.5] 1/16" ANGLE: MACH ±1/2" BEND ±1" X.XX" (1 DECIMAL): ±[3] 0.1" X.XXX" (2 DECIMAL): ±[1] 0.03" X.XXX" (3 DECIMAL): ±[0.5] 0.010" GEOMETRIC TOLERANCING PER: ASME Y.14.5M-1994			TITLE: 14,000 LB. SCISSOR LIFT FLUSHMOUNT PIT PLAN (JACKS AT CENTER) PROJECT: AUTEL SCISSOR LIFT	
MATERIAL: SEE PARTS	NAME S.Z.	DATE 2/15/2023	SIZE PART#	REV. 1
FINISH	CHECKED	APPROVED	SCALE: 1:24/WEIGHT:	SHEET 2 OF 3 new pit with angle

