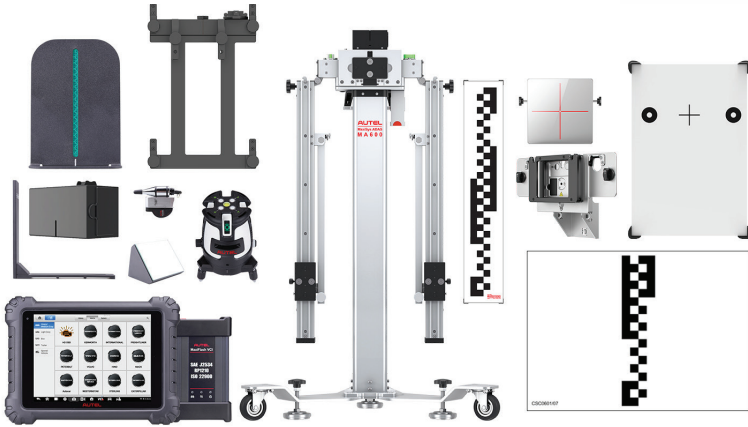




# CVADAS NEW COMPLETE STATIC AND DYNAMIC ADAS CALIBRATION PACKAGES



## MA600 CV ADAS PACKAGES

- Perform static front camera calibrations, including Lane Departure Warning system calibrations on applicable light, medium, and heavy-duty vehicles
- Includes MaxiSYS ADAS MA600 mobile frame and positioning tools, including 2- and 5-line lasers.
- Compatible with MaxiSYS 909CV tablet currently supporting dynamic calibration on Class 3-5 vehicles and Class 6-8 vehicles and static calibration setup and software for Mercedes-Benz Sprinter and RAM ProMaster vans and for heavy-duty vehicles equipped with Bendix® Wingman® system.
- Includes LDW patterns for Mercedes-Benz Sprinter vans, RAM ProMaster vans, and front collision warning and LDW pattern (CV pattern CSC0611-06) for heavy-duty vehicles equipped with Bendix® Wingman® system.
- Includes CV pattern bracket
- Includes ACC reflector for radar-equipped Bendix® Wingman® system calibration
- Includes a one-year warranty

P/N: CVMALDW  
Tablet not included

P/N: CVMALDWT  
As shown to the left

P/N: CVMAADD1  
Frame system not included

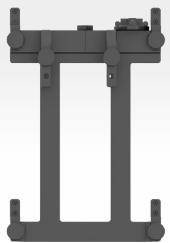
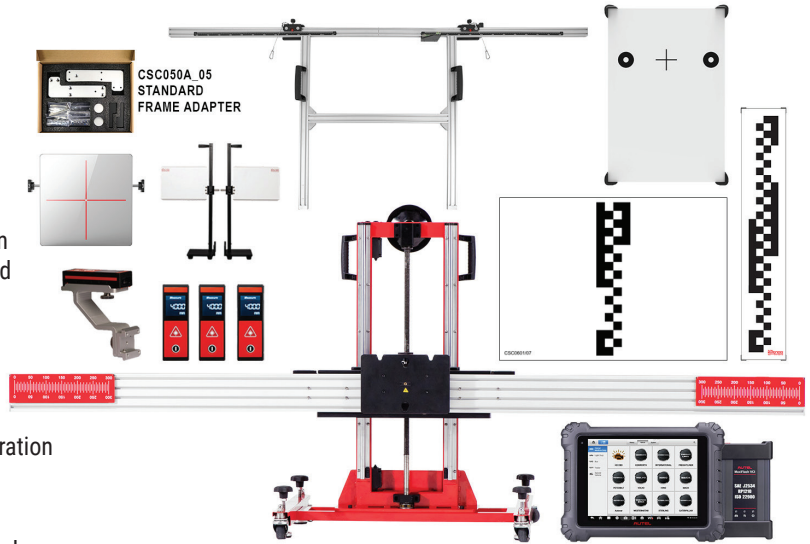
## STANDARD CV ADAS PACKAGES

- Perform static front camera calibrations, including Lane Departure Warning system calibrations on applicable light, medium, and heavy-duty vehicles
- Includes MaxiSYS ADAS Standard frame, pattern board, wheel clamps and laser units
- Compatible with MaxiSYS 909CV tablet currently supporting dynamic calibration on Class 3-5 vehicles and Class 6-8 vehicles and static calibration setup and software for Mercedes-Benz Sprinter and RAM ProMaster vans and for heavy-duty vehicles equipped with Bendix® Wingman® system.
- Includes LDW patterns for Mercedes-Benz Sprinter vans, RAM ProMaster vans, and front collision warning and LDW pattern (CV pattern CSC0611-06) for heavy-duty vehicles equipped with Bendix® Wingman® system.
- Includes Digital ADAS for faster and more accurate positioning
- Includes ACC reflector for radar-equipped Bendix® Wingman® system calibration
- Includes a one-year warranty

P/N: CVALDW20  
Tablet not included

P/N: CVALDW20T  
As shown to the right

P/N: CVADD1  
Frame system not included



## ADAS CV PATTERN BRACKET

P/N: 50A-02

- Enables use of the CV LDW pattern (CSC0611-06) on MA600 mobile frame
- One-year limited warranty



## ADAS CV PATTERN

P/N: 611-06

- Front collision warning and LDW pattern (CV pattern CSC0611-06) for heavy-duty vehicles equipped with Bendix® Wingman® system.
- Compatible with MaxiSYS ADAS Standard and MA600 frames
- Includes a one-year limited warranty